

Starpoint Universal Lampholder Product Summary

Description

The Universal Lampholder is designed to illuminate symbols on a game glass. With the changing requirements on lamp sizes from 10mm to 5mm the Universal Lampholder provides the ability to take all sizes of readily available Wedge base lamps.

The lampholder itself allows very compact packing density whilst retaining sufficient air flow to dissipate the heat from the lamps.

Currently available in four configurations, 2 lamp options (5mm or 10mm Wedge based) and with or without an integral diode. The integral diode is used when the electronics designer wishes to take advantage of matrix inconnection to reduce wiring and driver circuits.

Design for panel mounting, vacuum formed or flat. Inserting and removing the lampholder is very simple. To insert, push the lampholder in; to remove, hold firmly and twist in an anti-clockwise direction at the same time pulling the lampholder out of the panel. If adequate space is available around the lampholder it can be removed from the panel by pushing sideways and it will snap out.

Electrical Details

The Universal Lampholder socket is designed for 10mm, 7mm and 5mm wedge based lamps with a power rating up to a maximum of 2w. Connection is via IDC (Insulation Displacement Connection) terminals using 7/0.2mm wire.

For the purpose of matrix connection the lampholder is available with an integral diode connected in series with one lamp terminal. To easily identify the different build standards of the lampholder the injection moulding material is different colours. Beige for lampholder with diode fitted and Yellow for lampholder without diode. Details on recommended Matrix connection is available from the Customer Helpline on + 44 (0)20 8335 5811.

Mechanical Details

The universal lampholder is designed to fit panel thickness from 1mm to 2mm. The unique (Patent applied for) spiral design holds the lampholder firmly in position through varying material thicknesses and hole sizes. Details of hole size, pitch, height and depth are shown on the reverse of this sheet.

Termination of the wires can be made with the Starpoint custom designed air cylinder (part number 3475) and Universal Lampholder IDC Head (part number 3524). For hand insertion and removal of wiring a moulded insertion/extraction tool is available (part number 30065).

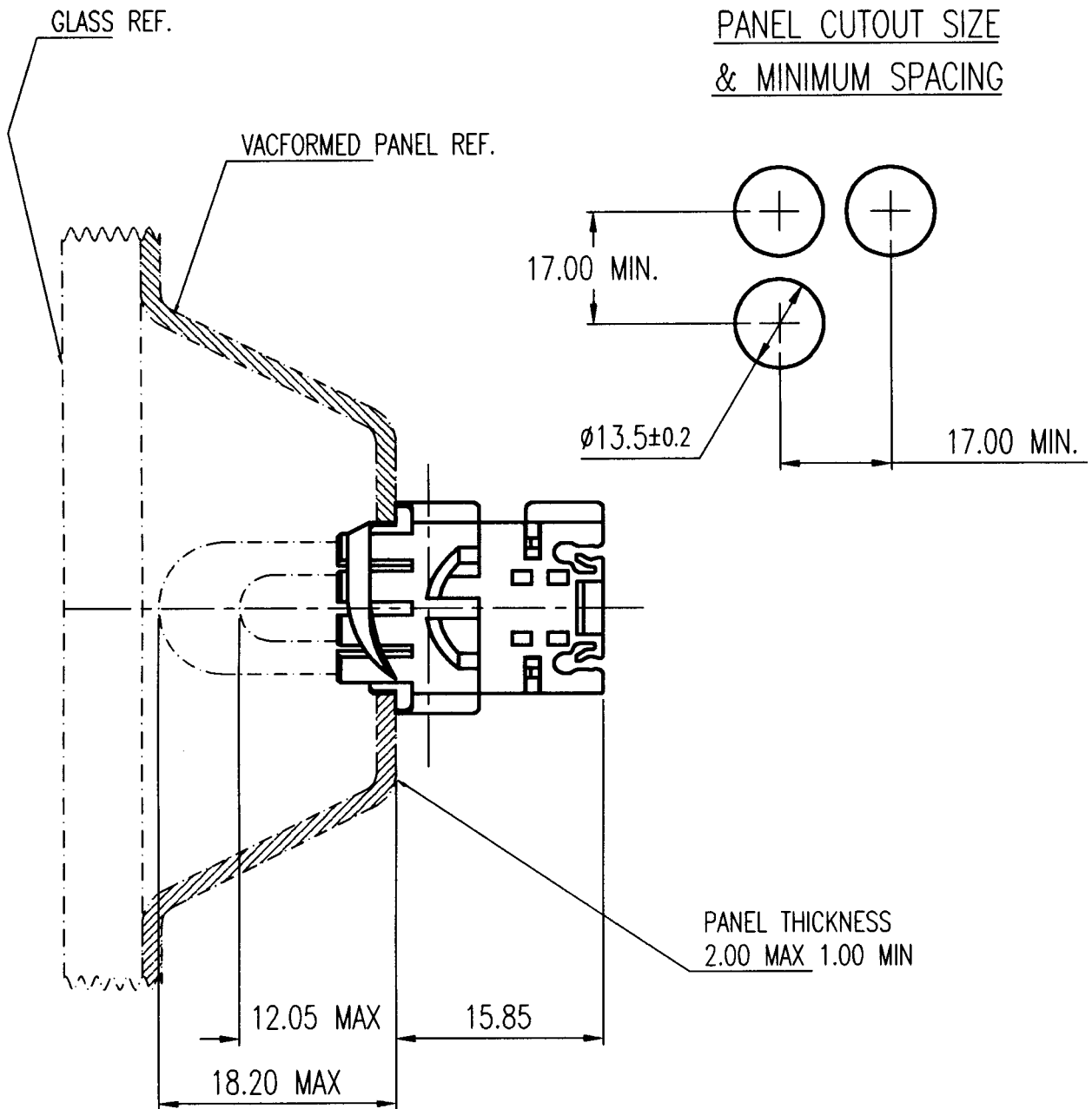
How to Order

- 1] Make a selection as to whether the lampholder should include an integral diode. A colour code system is used for moulding to identify the different build standards.

A lampholder with integral diode will be moulded in Beige material.

A lampholder without diode (link type) will be moulded in Yellow material.
- 2] Select the lamp required from table shown on reverse of this sheet.

Starpoint Universal Lampholder Dimensional Information



LAMP SELECTION

10mm Wedge Based		
6.3v	0.25A	D788
12v	2w	D817
14v	0.19A	D790
24v	2w	D868
12v	1.2w	D881

5mm Wedge Based		
12v	1.5w	D956
6.3v	0.2A	50200