

# SEC Starpoint Electronic Counter

## Product Summary

### Description

The SEC has been designed for the Gaming & Amusement industry to provide a single secure unit that is capable of recording all the functions that need to be metered. The SEC has up to 31 counters available, with each counter capable of displaying values from 0 to 9,999,999 on a 7 digit, 7 segment Liquid Crystal Display.

### Electrical Outline

The SEC is controlled from an 8 bit microcontroller fitted to the PCB, together with an EEPROM which retains the meter data. Each SEC has it's own unique identification code which allows the user to identify each SEC individually.

The SEC can be driven from electro-mechanical counter driver circuits, which can be utilised to provide a Serially Clocked Interface. The SEC requires a +12vdc power supply.

### Mechanical Outline

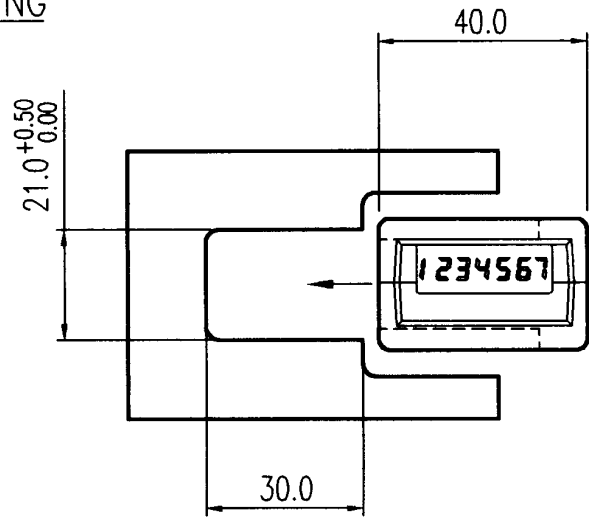
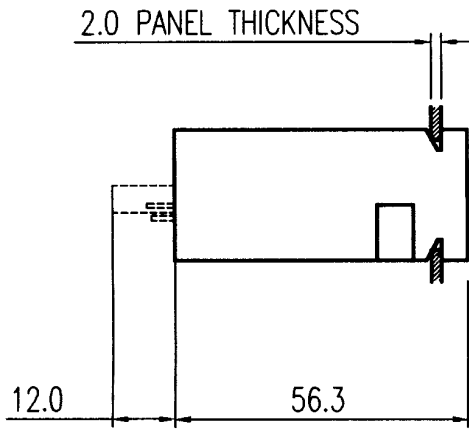
The SEC board and display are housed in a robust plastic enclosure, manufactured from anti-static material. Dimensional information of the unit is shown on the reverse of this sheet. The unit can be mounted by means of a slide-in fixing or directly onto a panel, as shown on the reverse of this sheet.

### Sample Ordering

If you require a sample please fax Starpoint on +44 (0)20 8391 7760 with your requirement and intended application. The sample will be sent complete with Technical Information giving applications information and details of how to specify your exact product requirement in the future.

# SEC Starpoint Electronic Counter Dimensional Information

## SLIDE/PUSH IN COUNTER FIXING



## PANEL MOUNTED COUNTER FIXING

