

Starpoint 20RM Reel Mechanism

Product Summary

Description

The 20RM is a modular Reel Mechanism benefiting from electrical and mechanical connection being achieved in one single action, simplifying both manufacturing and servicing. The lamp array angle can be adjusted through 360°. The reel modules can be assembled onto base mouldings which latch together to give standard reel pitch or individually for feature reels. The 20RM is available with all standard reel widths from 66mm to 90mm and is also available with the 66mm wide 150mm diameter reel . It is electrically compatible to the well proven 17RM series of Reel Mechanisms.

Electrical Outline

The 20RM is available with either 48 step 12vdc or 24vdc & 100 step 24vdc motors. Connection to the unit is made with a 15 way Molex IDC connector. A photo optic detector provides positional information of the reel drum and reel band symbols. Dependant on the reel band width, either 3 or 6 lamps are available for rear illumination of the reel band symbols. The lamps are available with an optional integral diode in circuit, to allow for matrix connection and wire harness savings, (request the matrix information sheet for more data).

Mechanical Outline

Dimensional information is shown on the reverse of this sheet. Insertion and removal of the reel unit is carried out by the unique patented combined handle and latch fitting system, which offers the simplest and most reliable way of mounting. The lamp array can be adjusted through 360°. Base fixing details are shown on the reverse of this sheet. Fixing for the reel band onto the drum is by plastic rivets or double sided tape.

Sample Ordering

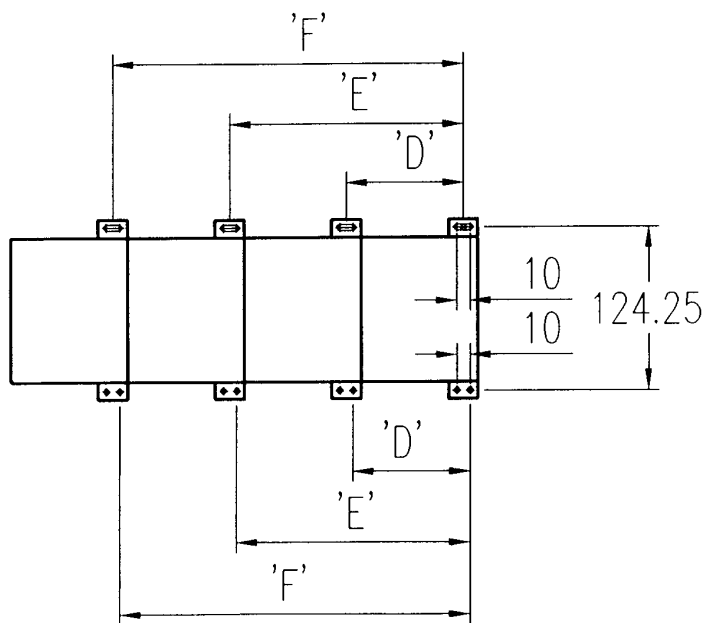
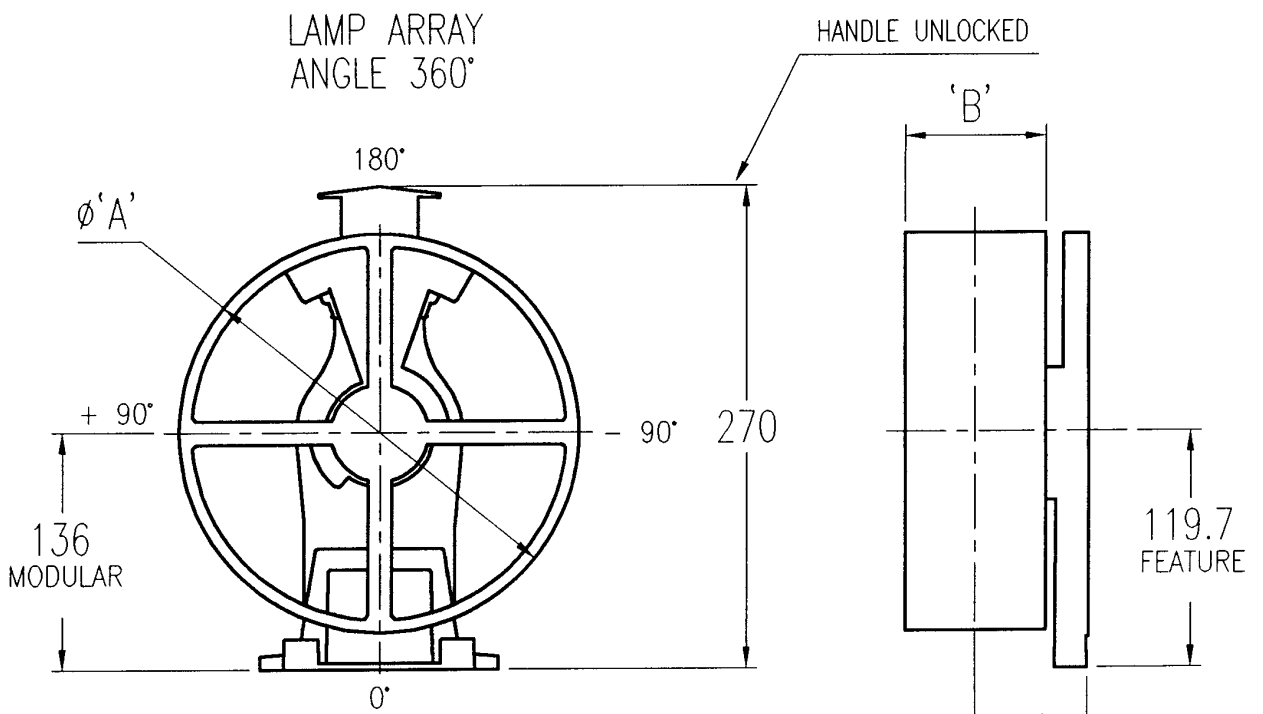
When requesting samples a brief specification is required which identifies the basic options.

Motor Type	48 step 12vdc		48 step 24vdc		100 step 24vdc	
Reel Drum Width	66mm	79.5mm	90mm	66mm - 150Ø		
Lamp Array Angle	0° to + 180°			0° to - 180°		
No. of Symbols	12	16	20	24	25	
Are integral diode required with the lamps?						

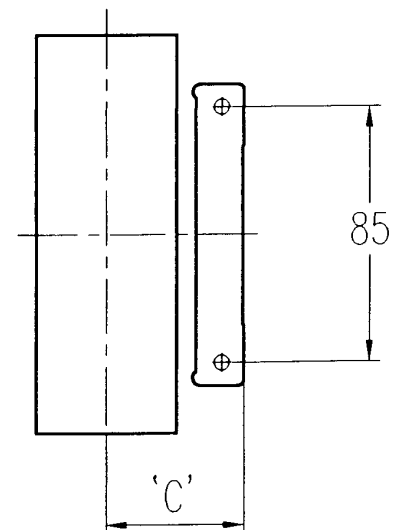
If you require a sample please fax Starpoint on +44 (0)20 8391 7760 with your required options from the above and intended application. The sample will be sent complete with Technical Information giving applications information and details of how to specify your exact product requirement in the future.

Starpoint 20RM Reel Mechanism Dimensional Information

'A'	'B'	'C'	'D'	'E'	'F'
150	66	52.25	88	176	264
229.5	66	52.25	88	176	264
229.5	79.5	59	101.5	203	304.5
229.5	90	64.25	112	224	336



MODULAR FIXING DETAILS



FEATURE FIXING DETAILS